



Part number

# CSSM 06



## Brief description:

male insert, 6 poles + PE, connection with dual spring terminal , 16A, 500V, 6kV, 3, silver plated, size "44.27", CLASS insert series

<b>Product description</b>		<b>Approvals / Standards</b>	
<b>Model</b>	male insert	<b>Reference standard</b>	EN 61984 (2001-11)
<b>Version</b>	connection with dual spring terminal	<b>Quality mark</b>	 , EAC
<b>Series</b>	CSS	<b>Conformity</b>	CQC, CE
<b>Product type</b>	with male contacts	<b>General ordering information</b>	
<b>Family</b>	CLASS inserts	<b>EAN13 code</b>	8015747115797
<b>Size</b>	size "44.27"	<b>Tariff number</b>	85369095
<b>N. of poles</b>	6 poles + 	<b>Country of origin</b>	Made in EU (IT)
<b>Technical data</b>		<b>ETIM classification</b>	EC000438
<b>Current</b>	16 A (A.C. and D.C.)	<b>Packaging Information</b>	
<b>Voltage</b>	500 V	<b>Packaging length</b>	240,00 mm
<b>Rated impulse withstand voltage</b>	6kV	<b>Packaging height</b>	220,00 mm
<b>Pollution degree</b>	3	<b>Packaging width</b>	210,00 mm
<b>Wire cross-section</b>	0,14 mm <sup>2</sup> - 2,50 mm <sup>2</sup>	<b>Packaging weight</b>	4,10 kg
<b>AWG size</b>	26 - 14	<b>Packaging volume</b>	11,09 dm <sup>3</sup>
<b>Operating temperature range (min, max)</b>	-50°C ... +70°C	<b>Packaging description</b>	Carton box
<b>Contact type</b>	silver plated	<b>Packaging quantity</b>	60 Pcs
<b>Mating cycles</b>	≥ 200	<b>Packaging EAN code</b>	8015747215671
<b>IP degree of protection</b>	IP20 without enclosure; IP65/IP66/IP67/IP68 with enclosure	<b>Sub-packaging length</b>	197,00 mm
<b>Further technical details</b>		<b>Sub-packaging height</b>	44,00 mm
<b>Characteristics according to EN 61984</b>	16A 500V 6kV 3; 16A 400/690V 6kV 2	<b>Sub-packaging width</b>	113,00 mm
<b>Insulation resistance</b>	≥ 1 GΩ	<b>Sub-packaging weight</b>	0,68 kg
<b>Rated voltage according to UL/CSA</b>	600V	<b>Sub-packaging volume</b>	0,98 dm <sup>3</sup>
<b>UL 94 flammability rating</b>	V-0	<b>Sub-packaging description</b>	Carton
<b>Weight</b>	62,00 g	<b>Sub-packaging quantity</b>	10 Pcs
		<b>Sub-packaging EAN barcode</b>	8015747115865

Part number

# CSSM 06



Catalogue drawings

Catalogue drawings

## CSSF / CSSM 06

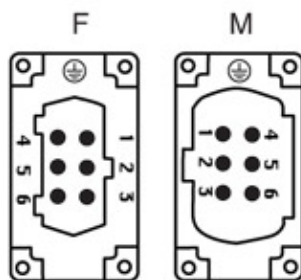
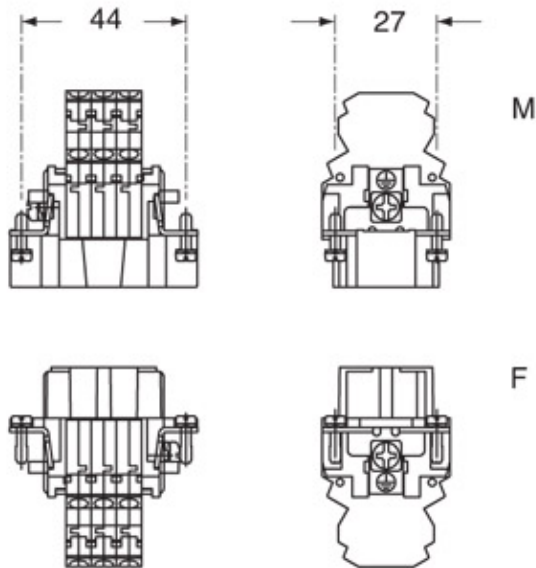
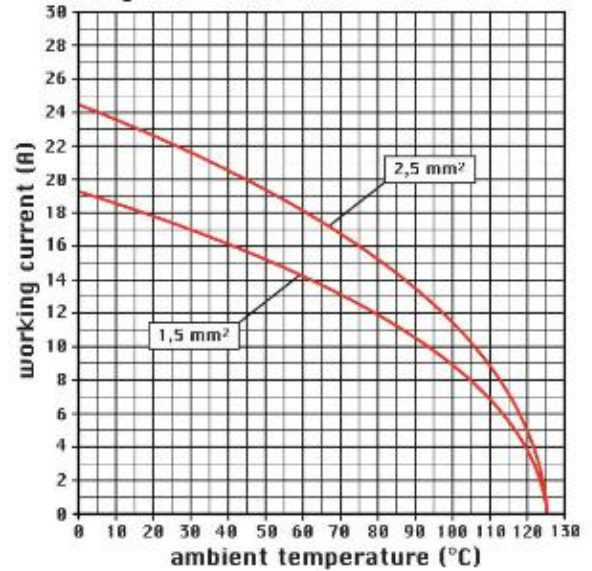


diagram CSS 06 poles



## Notes

CSSF/M 06 inserts:

- can be mated with CNE, CSE, CCE, CTE, CTSE, CSH inserts

- characteristics according to EN 61984:

16A 500V 6kV 3

16A 400/690V 6kV 2

- rated voltage according to UL/CSA: 600V

- insulation resistance: > 10 GOhm

- ambient temperature limit: -40 °C ... +125 °C

- are made of self-extinguishing thermoplastic resin UL 94 V0

- mechanical life: > 500 cycles

- contact resistance: < 3 mOhm

- enclosures: size "44.27":

C-TYPE IP65/IP66  
C7 IP67 stainless steel lever  
V-TYPE IP65/IP66  
stainless steel lever  
T-TYPE IP65 insulating  
JEI zinc-plated steel lever  
BIG hoods  
W-TYPE aggressive environments  
EMC  
central lever  
IP68  
- panel supports: COB

---